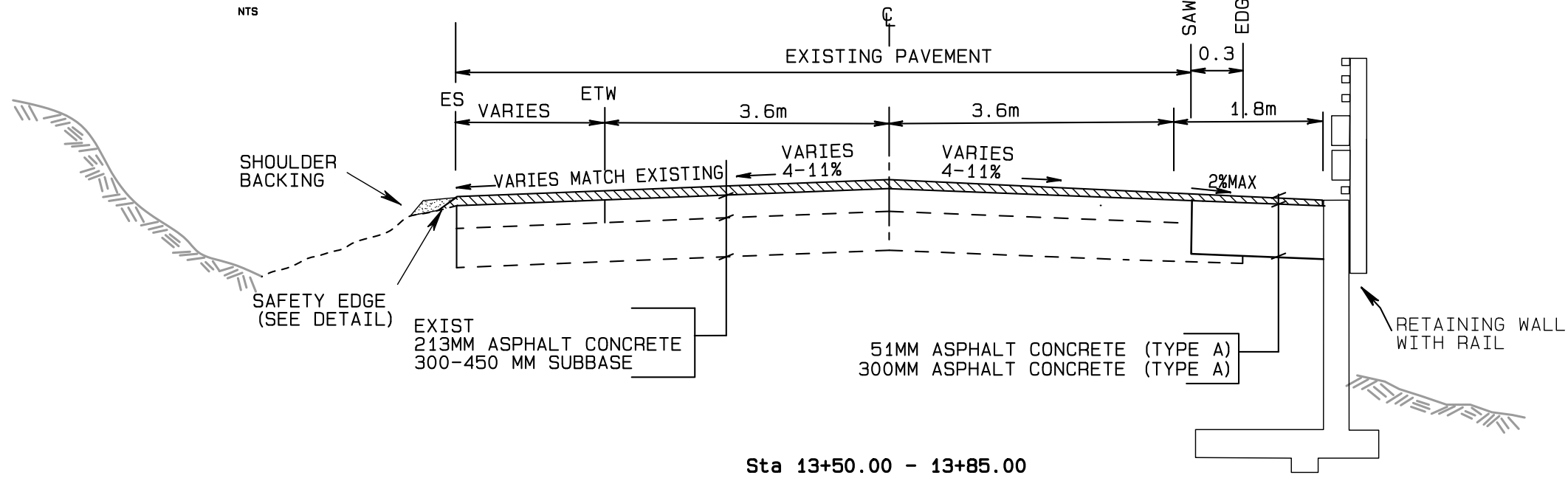
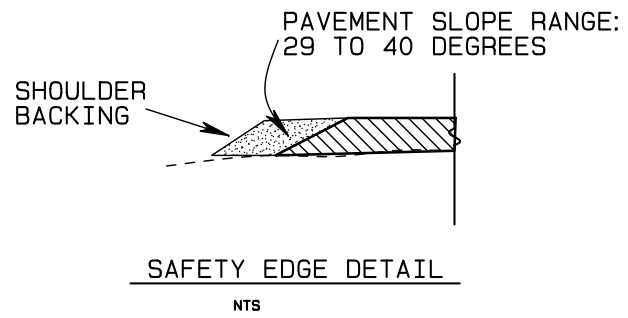
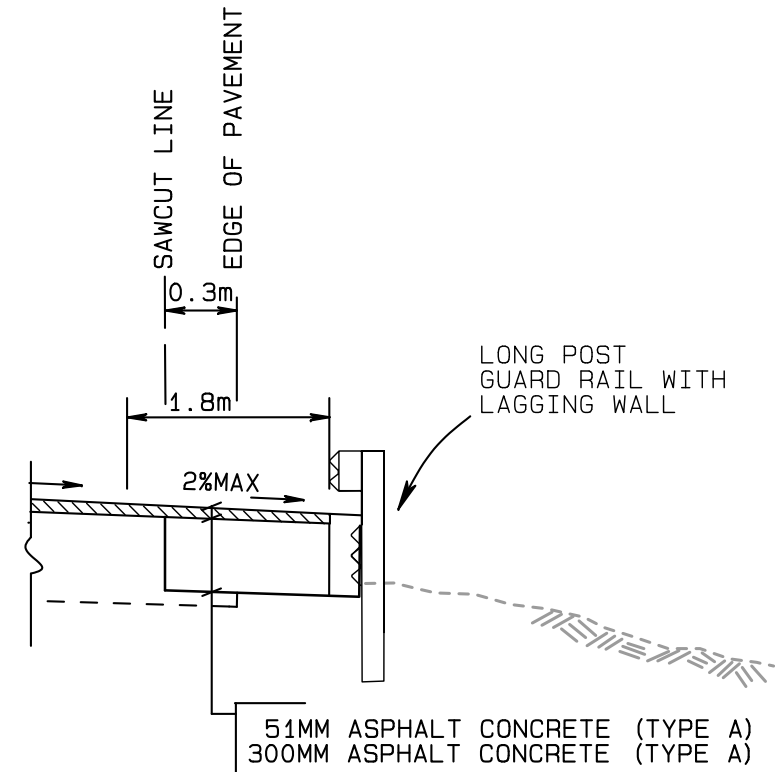


Sta 10+77.74 - 11+50.00  
 Sta 11+76.00 - 13+50.00  
 Sta 13+85.00 - 14+26.00



Sta 13+50.00 - 13+85.00



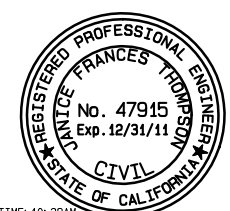
Sta 11+50.00 - 11+76.00

ADDENDUM NO 2

METRIC

DESIGN	BY JANICE THOMPSON
DRAWING	BY JO-EL GROSSI
CHECKED	BY REX CUMMINS

Original signed by  
 Janice Thompson  
 REGISTERED CIVIL ENGINEER  
 4/1/11  
 PLANS APPROVAL DATE



CONSTRUCTION COMPLETED:  
 RESIDENT ENGINEER  
 AS BUILT DRAWINGS BY:

DATE	REVISION	BY	APPROVED

SHOULDER IMPROVEMENT TYPICAL SECTIONS				
ROAD NUMBER	BUDGET NUMBER	FISCAL YEAR	SHEET NUMBER	TOTAL SHEETS
5603	C01330	2010-11	4	42

COUNTY OF SONOMA  
 DEPARTMENT OF TRANSPORTATION AND PUBLIC WORKS  
 PHILLIP M. DEMERY, DIRECTOR  
 PROJECT: **ARNOLD DRIVE SHOULDER IMPROVEMENTS AND OVERLAY**  
 DATE: SEPTEMBER, 2003 SCALE: AS SHOWN

U:\proj\st\Dir\1330 (Arnold)\861en\11en\arnold\_everlay\_50sc1.pro DATE: 4/1/2011 TIME: 10:29AM